

EpiCentre Questionnaire

Contact Details

Establishment

Address

Contact Name

Email Address

Tel Number

Date

EpiCentre Series Selection

EC-I In-line design

Select EC-I

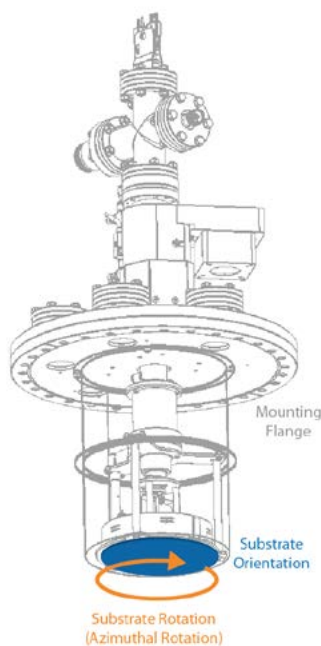
Stage orientation

Vertical - substrate facing up

Vertical - substrate facing down

Other (non-standard option
- please specify below)

Tick if you require
Glancing Angle Deposition



EC-I mounting flange required

CF200/10" OD

CF250/12" OD

CF300/14" OD

CF350/16.5" OD

Other (non-standard option - please specify below)

EC-I substrate size (check all that apply)

2"

100mm

150mm (CF250, CF300 & CF350 flanges only)

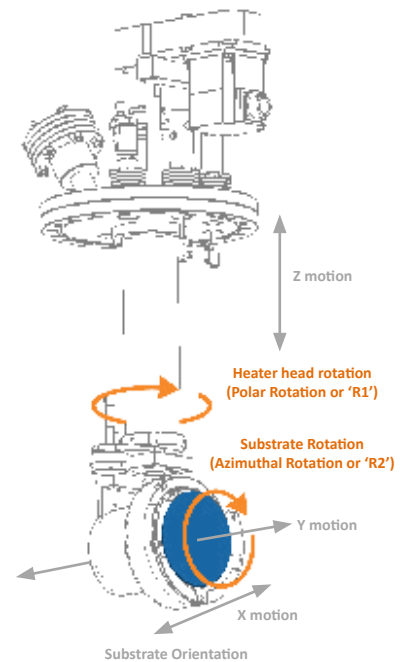
200mm (CF300 & CF350 flanges only)

Other (non-standard option - please specify below)

Substrate will be: bare wafer in a holder

EC-R Right-angled design

Select EC-R



EC-R mounting flange

CF150/8" OD

CF200/10" OD

CF250/12" OD

Other (non-standard option - please specify below)

EC-R substrate size (check all that apply)

2"

3"

100mm (CF200, & CF250 flanges only)

150mm (CF250 flange only)

Other (non-standard option - please specify below)

Substrate will be: bare wafer in a holder

EpiCentre Configuration & Options (see page 3 for heating element selection)

EC-I Configuration

Note: standard EC-I configuration selected - click options to select an alternative.

Substrate biasing None (substrate earthed)
DC/RF biasing (option)

Substrate rotation No rotation required
Stepper motor
24V DC motor (option)
SmartMotor™ (option)
No motor (option)

Substrate rotation speed 20rpm (recommended)
Other (max 60rpm)
rpm

Rotation controller None
Supplied (option)

Cradle lift/lower to aid sample transfer 25mm pneumatic
Manual hand wheel (option)

Cradle Home Sensor None supplied
Fitted (option)

How will samples be transferred? Manually at atmosphere
Transfer arm under vacuum

Deposition height adjustment None
50mm (option)
100mm (option)
150mm (option)
Actuation
Manual Motorised

Substrate shutter None
Manual shutter (option)
Motorised shutter (option)
Pneumatic shutter (option)
Molybdenum shields

Heater Shields Inconel shields (option)

Deposition Shielding None
Supplied (option)

Thermocouple Type K Quantity required
Type C One Two

EC-R Configuration

Note: standard EC-R configuration selected - click options to select an alternative.

Substrate biasing None
DC/RF biasing (option)

Polar (primary) rotation Manual
Stepper motor (option)
No motor

Substrate (azimuthal) rotation No rotation required
Manual (option)
Stepper motor (option)
24V DC motor (option)
No motor (option)

Substrate rotation speed (if substrate rotation option selected) 20rpm (recommended)
Other - please specify
rpm

Rotation controller(s) (tick if required) Polar controller
Azimuthal controller

Rotation Home Sensor (tick if required) Polar home sensor
Azimuthal home sensor

How will samples be transferred? Manually at atmosphere
Transfer arm under vacuum

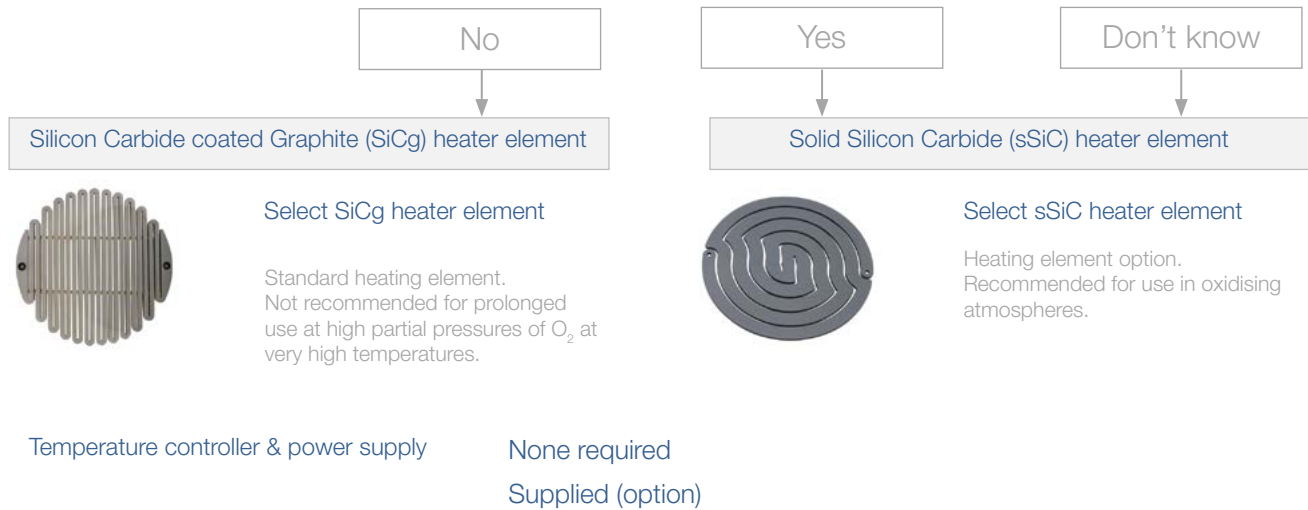
Z-shift adjustment None
Required (option)
mm

XY motion None
Required (option)
mm
Actuation
Manual Motorised

Thermocouple Type K
Type C

EpiCentre Heater Selection (required for both EC-I and EC-R series)

Does the intended process involve the use of high partial pressures of O₂?



Application Details (required for both EC-I and EC-R series)

To ensure that you receive the correct configuration of EpiCentre it is essential to provide as much information on the potential applications as possible.

What is the application?

What substrate materials will you be using?

What is the process chamber's ultimate (base) pressure?

What maximum temperature at base pressure do you wish to heat the substrate to in vacuum?

How long do you need to maintain this temperature?

If gases or vapours are involved in your process please complete the information below:

	GAS	PARTIAL PRESSURE mbar torr	MAXIMUM TEMPERATURE	DURATION
1				
2				
3				
4				
5				
6				

Are any of the following materials incompatible with your process? (please tick all that apply)

Tantalum
Copper

Molybdenum
Aluminium

Stainless Steel
Inconel

Additional Comments

Related products

Would you like more information on our range of sample transfer products including:

No
Yes

- Magnetically coupled sample transfer arms
- Wobble Sticks
- Rotary Telescopic Transfer Arms

How we use this information

We use the information you provide in this questionnaire to evaluate your application before quoting an appropriate product specification. As all applications vary and have factors outside of our control, we are not in a position to offer any performance guarantees outside of our standard final test procedures.