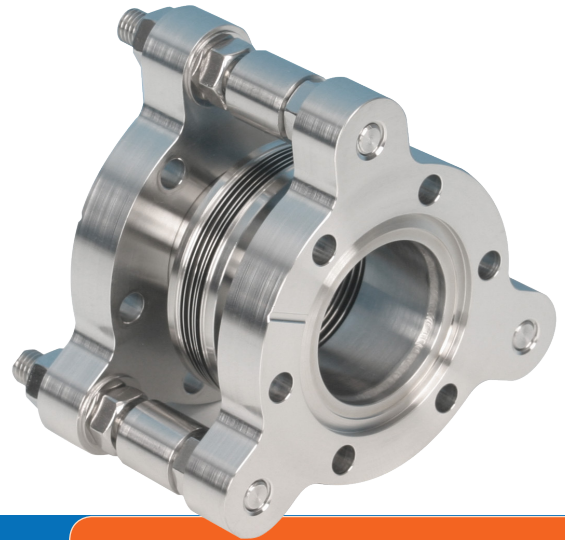


Port Aligner Range

PA Range



Enables the distance and angular relationship between two flanges to be adjusted, where a fixed flange supports three equi-spaced threaded shafts, and in parallel, a travelling flange has adjustable floating mounts. A typical application would be the final alignment of sample transfer arms.

PA KEY ADVANTAGES

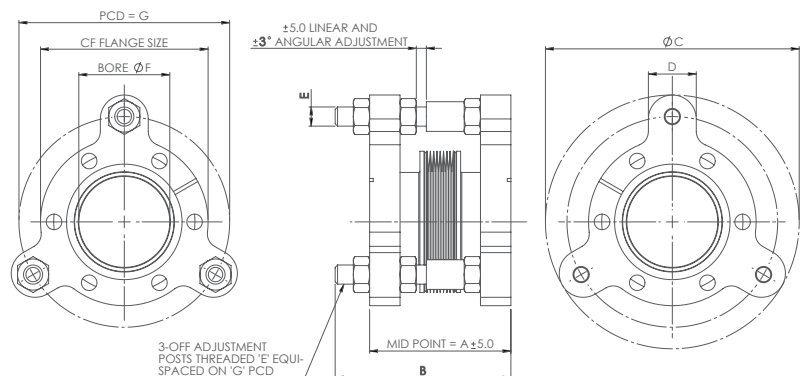
- » Any-orientation mounting
- » +/- 5mm axial adjustment
- » +/- 3° angular tilt
- » High quality flexible 316L bellows accommodates motion, whilst maintaining ultra-high vacuum
- » Bakeable to 250°C

The Port Aligner range enables the distance and angular relationship between two flanges to be adjusted. The range consists of five series, which can be supplied with either tapped or clear bolt holes on the flanges. Each range provides +/-5 mm axial length adjustment, with +/- 3° angular tilt.

Essentially, this is a simple device that once adjusted, provides a stable platform. The design consists of two approximately parallel flanges, one of which remains fixed, whilst the position of the second may be adjusted with respect to the first.

Example Dimensions (mm)

For comprehensive 2D drawings & 3D models please contact us.



PA35 Technical Data

SPECIFICATION	VALUE
Standard System mounting flange size	FC38 (2 3/4") with clear holes
Optional system mounting flange size	FC38 (2 3/4") with tapped holes
Standard travelling flange size	FC38 (2 3/4") with clear holes
Optional travelling flange size	FC38 (2 3/4") with tapped holes
Clear bore	38mm
Axial adjustment	+/-5mm
Tilt	+/-3°
Bakeout temperature	250 °C
Max Axial Load	200N
Max Canterlevered Moment	20Nm

PA64 Technical Data

SPECIFICATION	VALUE
Standard System mounting flange size	FC64 (4 1/2") with clear holes
Optional system mounting flange size	FC64 (4 1/2") with tapped holes
Standard travelling flange size	FC64 (4 1/2") with clear holes
Optional travelling flange size	FC64 (4 1/2") with tapped holes
Clear bore	65mm
Axial adjustment	+/-5mm
Tilt	+/-3°
Bakeout temperature	250 °C
Max Axial Load	200N
Max Canterlevered Moment	20Nm

PA100 Technical Data

SPECIFICATION	VALUE
Standard System mounting flange size	FC100 (6") with clear holes
Optional system mounting flange size	FC100 (6") with tapped holes
Standard travelling flange size	F100 (6") with clear holes
Optional travelling flange size	FC100 (6") with tapped holes
Clear bore	102mm
Axial adjustment	+/-5mm
Tilt	+/-3°
Bakeout temperature	250 °C
Max Axial Load	200N
Max Canterlevered Moment	20Nm

PA150 Technical Data

SPECIFICATION	VALUE
Standard System mounting flange size	FC150 (8") with clear holes
Optional system mounting flange size	FC150 (8") with tapped holes
Standard travelling flange size	FC150 (8") with clear holes
Optional travelling flange size	FC150 (8") with tapped holes
Clear bore	127mm
Axial adjustment	+/-5mm
Tilt	+/-3°
Bakeout temperature	250 °C
Max Axial Load	200N
Max Canterlevered Moment	20Nm

PA200 Technical Data

SPECIFICATION	VALUE
Standard System mounting flange size	FC200 (10") with clear holes
Optional system mounting flange size	FC200 (10") with tapped holes
Standard travelling flange size	FC200 (10") with clear holes
Optional travelling flange size	FC200 (10") with tapped holes
Clear bore	127mm and 200mm option
Axial adjustment	+/-5mm
Tilt	+/-3°
Bakeout temperature	250 °C
Max Axial Load	200N
Max Canterlevered Moment	20Nm

For more information:

UHV Design Ltd
 Judges House, Lewes Road,
 Laughton, East Sussex, BN8 6BN, UK
 T: +44(0)1323 811188
 E:sales@uhvdesign.com
 www.uhvdesign.com

To find your nearest UHV Design
 representative please visit www.uhvdesign.com
 and click 'Contact'.