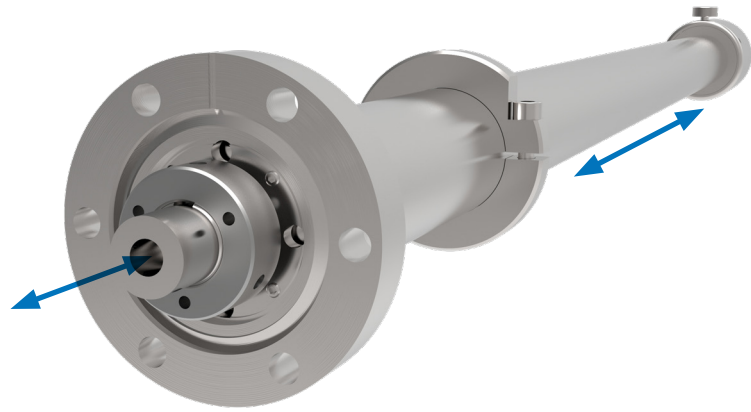


Linear Motion Only

Linear PowerProbe

(LPP Series)



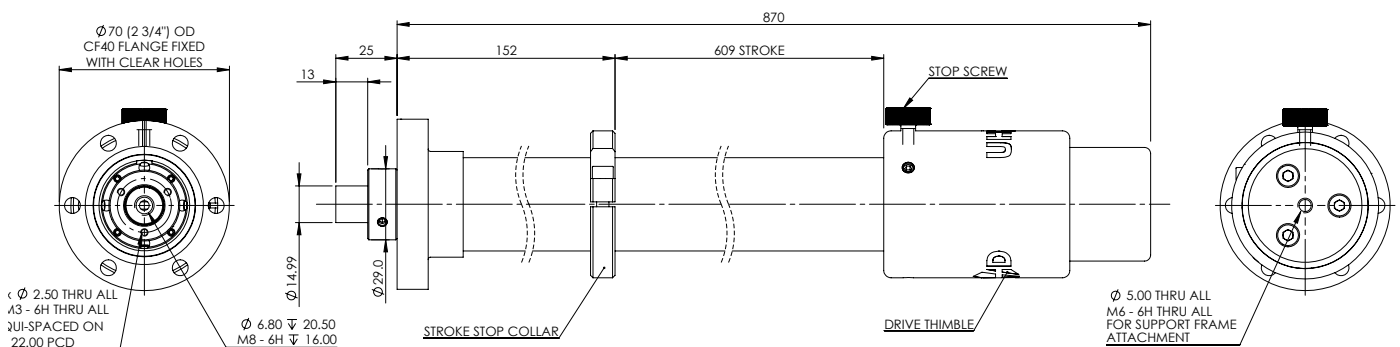
High performance magnetically-coupled linear devices, designed for sample transfer where only linear motion is required and rotation is undesirable. Available in standard stroke lengths from 304mm to 1524mm with motorisation options. The LPP is bakeable to 250°C without removing any components.

LPP KEY ADVANTAGES

- » Internal anti-rotation system ensures straight in-line motion
- » No need for conventional external linear guide bars
- » Unrivalled axial coupling strength
- » Exceptional axial stiffness
- » Zero backlash under low load

The Linear PowerProbe should be selected where only linear motion is required and twisting or turning of the sample would be undesirable.

An anti-rotation system is fitted internally ensuring straight, in-line motion, despite any rotation of the external drive thimble. This removes the need for the unwieldy and bulky external linear guide bars used by other manufacturers and guarantees no rotation during the stroke.



Example Dimensions (mm) LPP40-609-H shown

Visit www.uhvdesign.com to configure, view and download 3D models



LPP Technical Data

| SPECIFICATION | VALUE |
|---|---|
| System mounting flange size up to 1219mm stroke | CF40 (2 3/4" OD) with clear holes |
| System mounting flange size 1524mm stroke | CF63 (4 1/2" OD) with clear holes |
| Magnetic linear breakaway thrust | 140 N (31.5 lbs) |
| Available stroke range | 304mm to 1524mm |
| Output shaft - end interface details | 14.99/14.96mm with M8 tapped hole and spigot |
| Bakeout temperature | 250 °C with motor removed |
| Shaft radial run out | N/A |
| Shaft radial deviation (linearity) over full stroke | +/- 1 degree |
| Maximum cantilevered load | 20 Nm (177 in-lbs) |
| Maximum working axial load | 90 N (20 lbs) |
| Retracted position switch - type | Bakeable micro switch wire to WD-020 |
| Stepper motor option | AS4118L1804 with P42H (4:1) gearbox |
| Stepper motor - motor wiring | Wired to M12 5-pin. |
| Stepper motor option - switches | Bakeable limit and home switches with lemo socket wired to diagram WD-030 |
| Stepper motor maximum linear speed | 25 mm/second (ballscrew option up to 100mm/second) |
| Linear resolution per 1/2 step | 0.00375 mm |
| Motor option - leadscrew pitch | 6mm |
| DC motor option | 24V dc motor with gearbox |
| DC motor - motor wiring | 2 pin generic plug to diagram WD-010 |
| DC motor option - switches | Bakeable limit switches with lemo socket wired to diagram 11-6-04 |
| DC motor maximum linear speed | 15 mm/second |
| DC motor gearbox type and ratio | Planetary 35:1 |
| Motor option - leadscrew pitch | 6mm |

For more information:

UHV Design Ltd
 Judges House, Lewes Road,
 Laughton, East Sussex, BN8 6BN, UK
 T: +44(0)1323 811188
 E:sales@uhvdesign.com
 www.uhvdesign.com

To find your nearest UHV Design representative please visit www.uhvdesign.com and click 'Contact'.