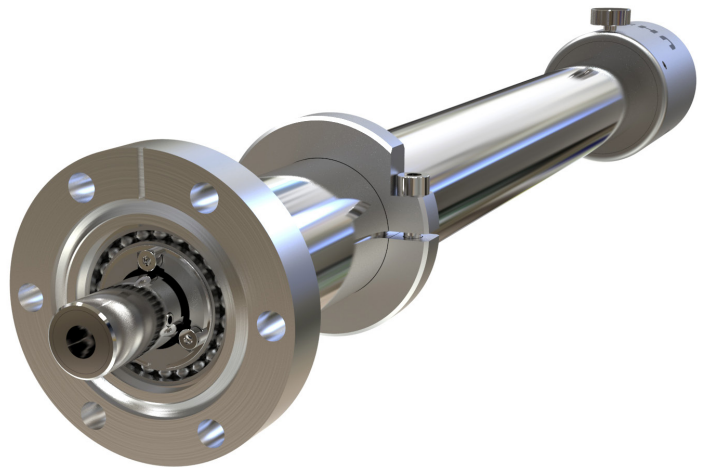


# Linear & Rotary

## XPowerProbe

(XPP Linear & Rotary Series)



High performance magnetically-coupled combined linear/rotary devices, designed for sample transfer in UHV applications requiring minimal outgassing. Both linear and rotary motion of the sample achieved via a single actuator with stroke length from 304mm to 1524mm.

### XPP KEY ADVANTAGES

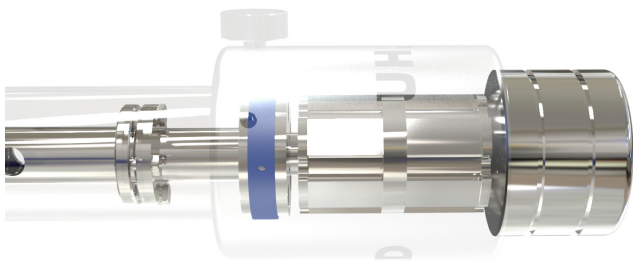
- » Unrivalled axial coupling strength
- » 10x thrust and 4x torque compared to conventional devices
- » Exceptional axial stiffness
- » Minimal outgassing
- » Bakeable to 250°C without removing any components

The PowerProbe provides both linear and rotary motion of the sample, via a single actuator. The XPP contains all metal bearings for smooth low friction actuation with minimal outgassing (typically <1 decade pressure increase during translation).

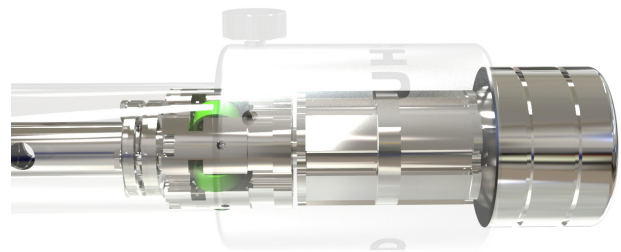
The high torque characteristics are achieved by utilising MagiDrive rotary coupling technology. Combined with a high thrust linear coupling, this ensures optimum drive performance on both axes. Therefore, actuation of the thimble in either axis will result in the precise transmission of this motion to the sample.

The XPP can be fitted with a bakeable limit switch for the retracted position, aiding system interlocks.

### Comparison to standard PP40

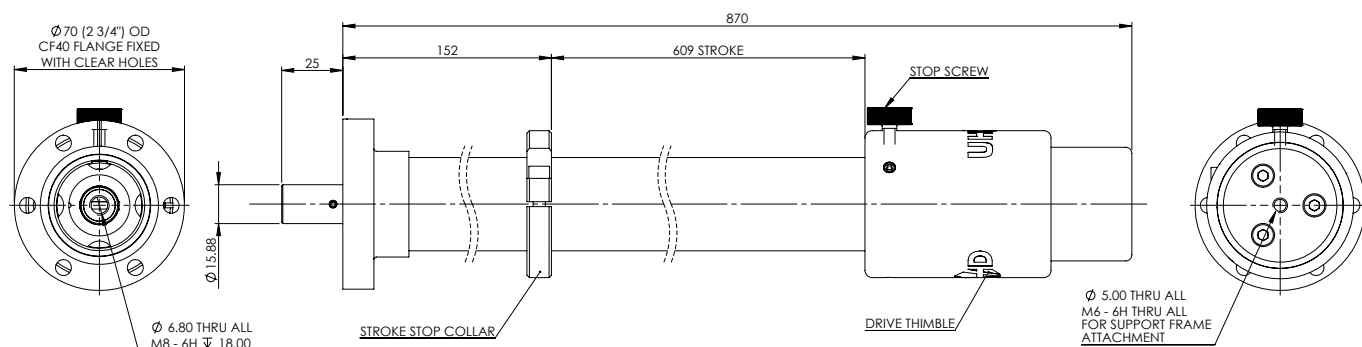


Standard PP40 uses PEEK sliding bearings shown in blue.



XPP40 uses rolling metal bearings shown in green to minimise pressure rise during translation.

## XPP Technical Data



### Example Dimensions (mm) XPP40-609-H shown

Visit [www.uhvdesign.com](http://www.uhvdesign.com) to configure, view and download 3D models

SPECIFICATION	VALUE
System mounting flange size up to 1219mm stroke	CF40 (2 3/4") with clear holes
System mounting flange size 1524mm stroke	CF63 (4 1/2") with clear holes
Magnetic rotary breakaway torque	4Nm (35 in-lbs)
Magnetic linear breakaway thrust	140N (31.5 lbs)
Available stroke range	304mm to 1524mm
Output shaft - end interface details	15.99/15.88mm with M8 tapped hole
Bakeout temperature	250°C with motor removed
Shaft radial run out	+/- 0.5mm
Shaft radial deviation (linearity) over full stroke	N/A
Maximum cantilevered load	20 Nm (177 in-lbs)
Maximum working axial load	90 N (20 lbs)
Retracted position switch - type	Bakeable micro switch wire to WD-020

### For more information:

**UHV Design Ltd**  
 Judges House, Lewes Road,  
 Laughton, East Sussex, BN8 6BN, UK  
 T: +44(0)1323 811188  
 E: [sales@uhvdesign.com](mailto:sales@uhvdesign.com)  
[www.uhvdesign.com](http://www.uhvdesign.com)

To find your nearest UHV Design  
 representative please visit  
[www.uhvdesign.com](http://www.uhvdesign.com) and  
 click 'Contact'.